

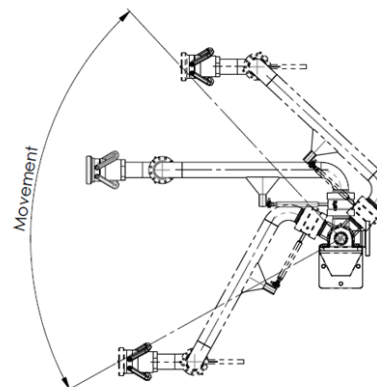
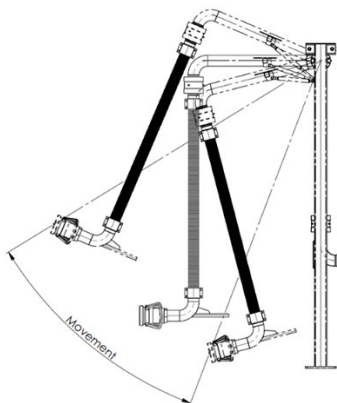
enmac

# BOTTOM LOADING ARM WITH FLEXIBLE HOSE

Our bottom loading arm with flexible hose is a cost-effective way to ensure smooth and ergonomic loading process. It is lightweight to use due to gas spring balancer, but also enables a free walkway alongside the truck. This bottom loading arm is designed to streamline the loading process but also improve the safety when working with potentially hazardous chemicals.

The loading arm can be customized for intended use. The usability is improved with multiple swivel joints in the horizontal pipe to increase the degrees of freedom of movement.

The loading arm is a CE marked product according to EU directive of machinery 2006/42/EC. It also fulfills the requirements of “Metallic industrial piping, EN 13480-1-4:2017” and pressure equipment directive 2014/68/EU (PED). The versions fulfilling EX requirements are available upon request.



enmac